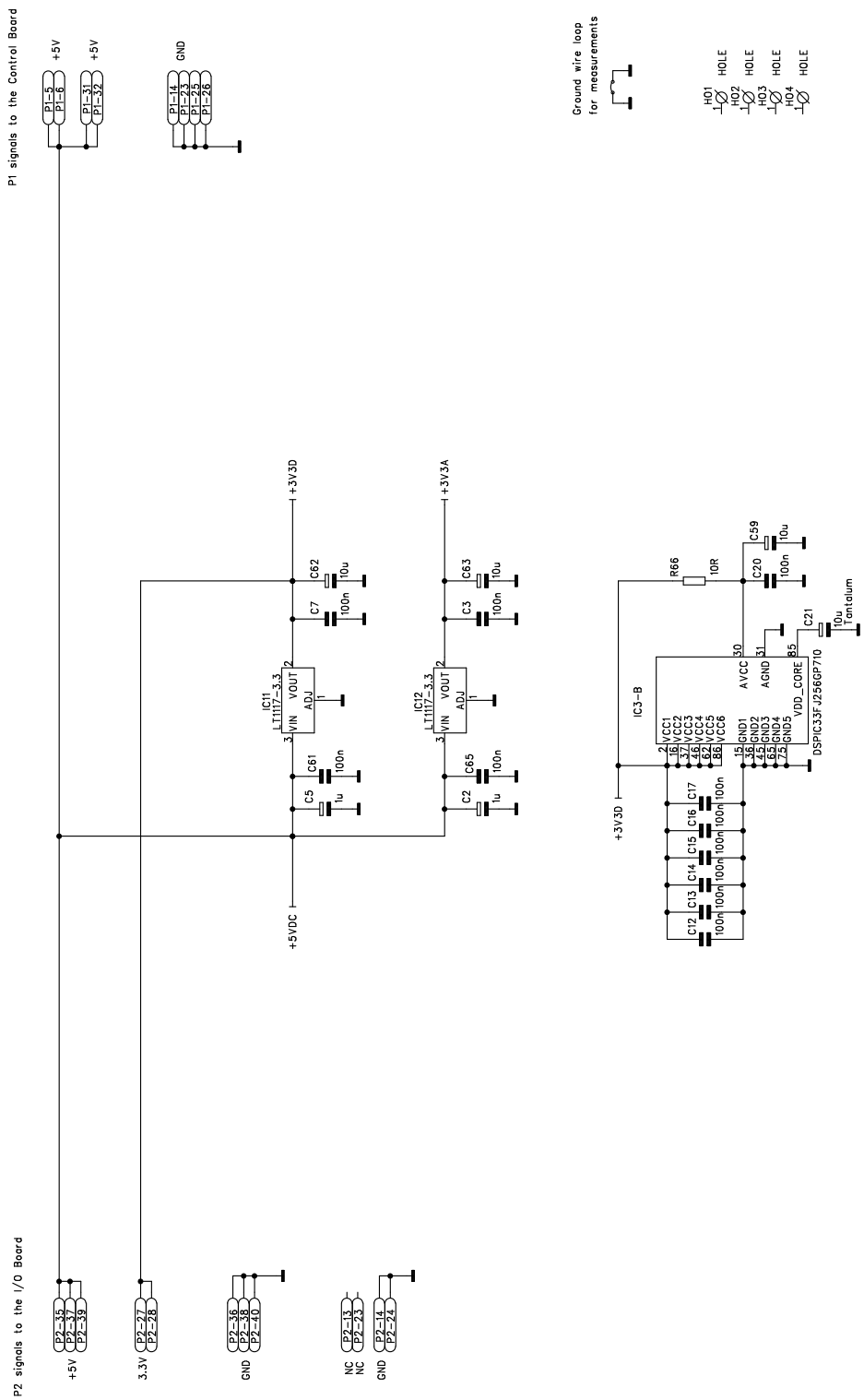


SDR Cube DSP Board DSP	OH2NLT, N2APB	Drawn	2010.10.31	JNI
		Rev. C	Appr.	Page 1/3

PI signals to the Control Board

P2 signals to the I/O Board

DRAWING No.



SDR Cube DSP Board
Power Supply

OH2NLT, N2APB

Drawn 2010.10.31

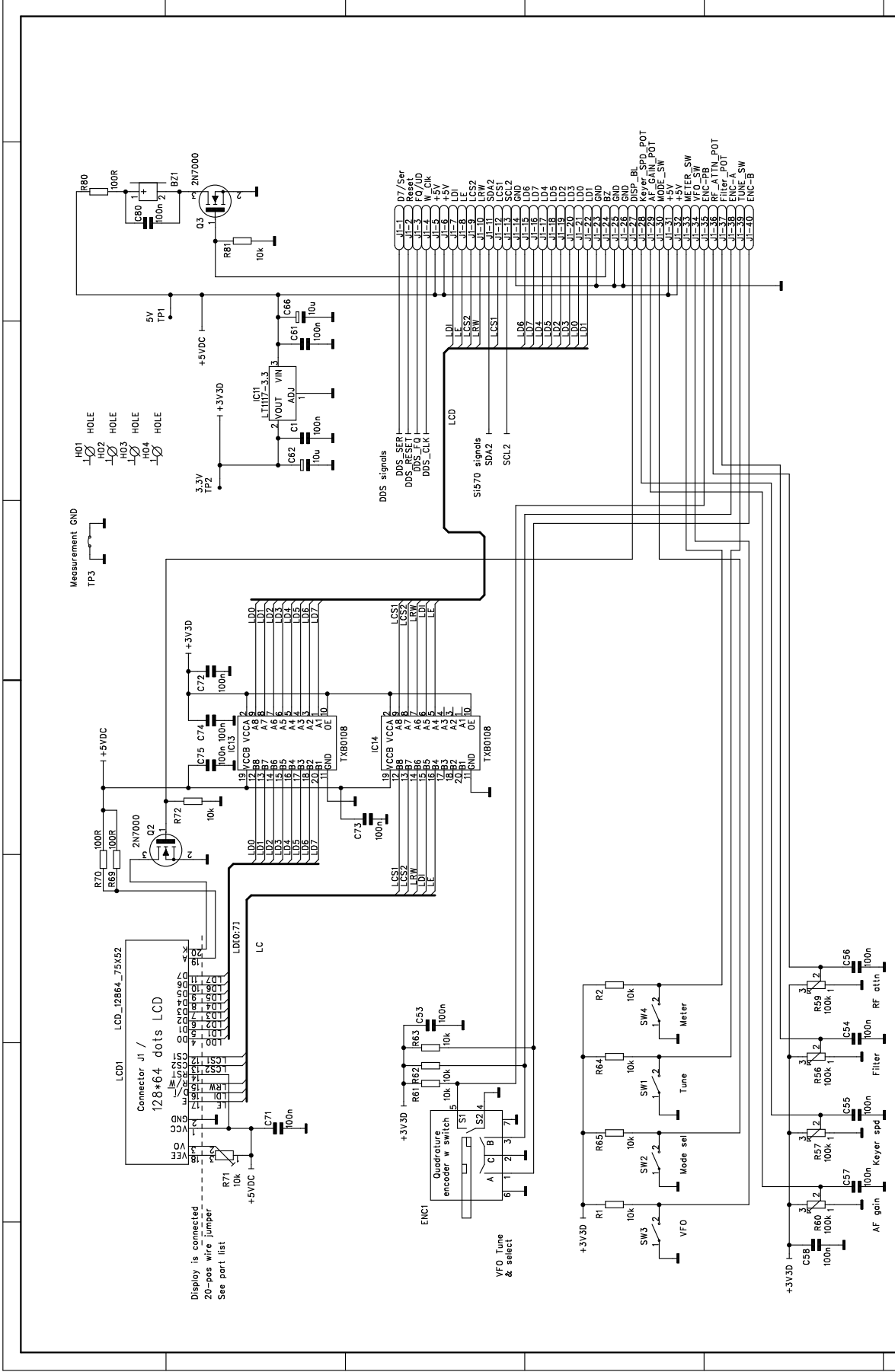
JNI

DRAWING No.

Rev. C

Appr.

Page 2/3

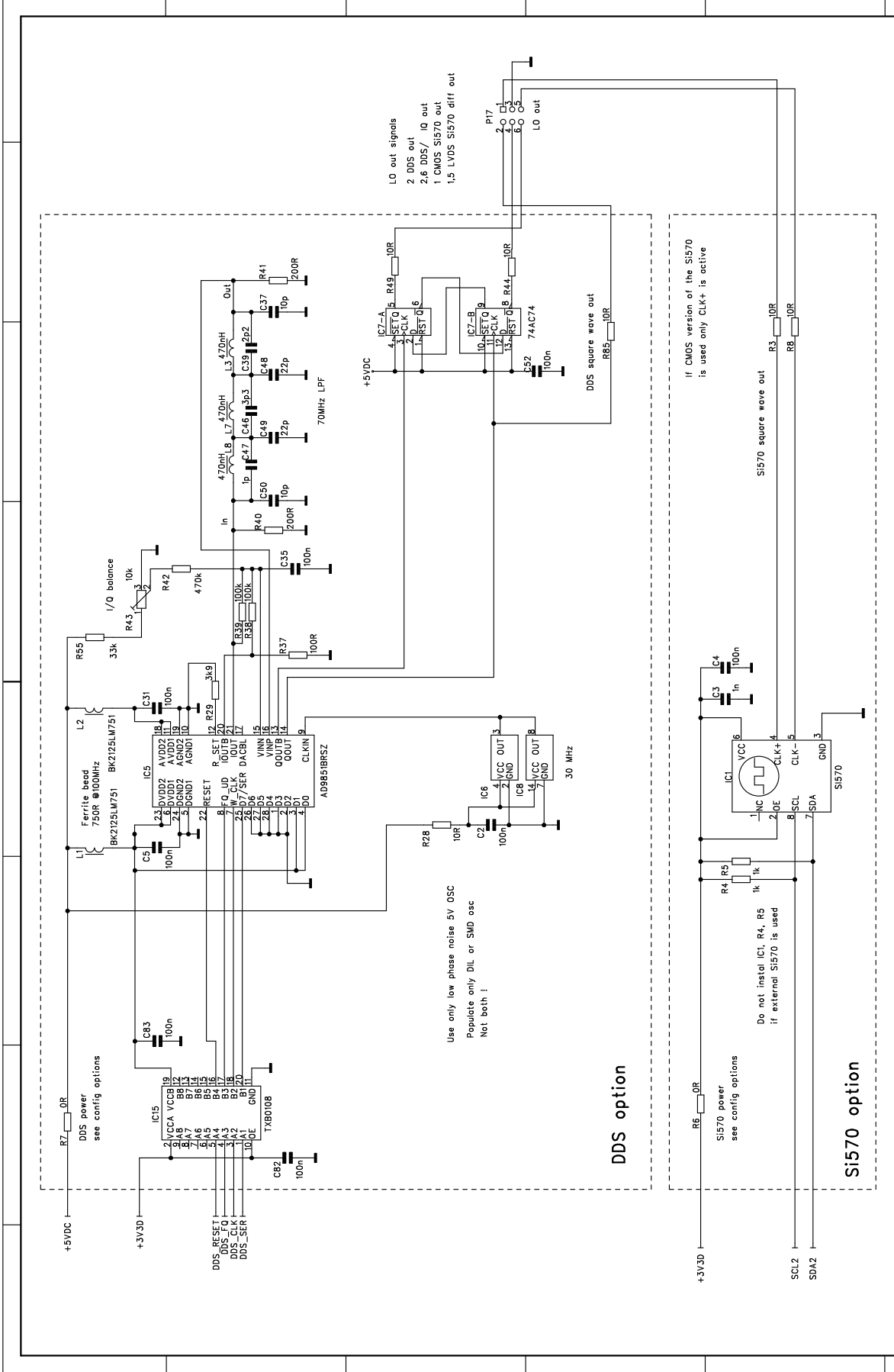


SDR Cube Control Board
 Display & controls

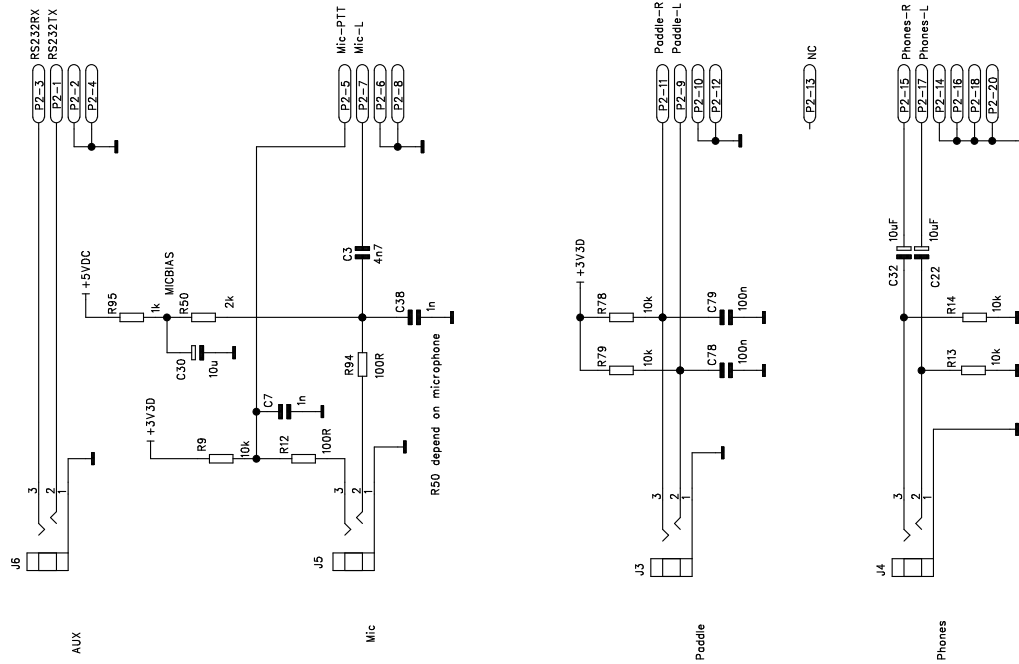
OH2NLT, N2APB
 Drawn 2010.10.28
 Rev. C1 / 2010.12.29
 JNI
 Page 1/2

DRAWING No.

Display is connected
 20-pos wire jumper
 See part list



SDR Cube Control Board		OH2NLT, N2APB		Drawn 2010.10.28		JNI	
DDS & Si570		Rev. C1 / 2010.12.29		Appr.		Page 2 / 2	
DRAWING No.							



SDR Cube I/O Board

Mic, Phones, Paddle & AUX connectors

OH2NLT, N2APB

Drawn

2010.10.28

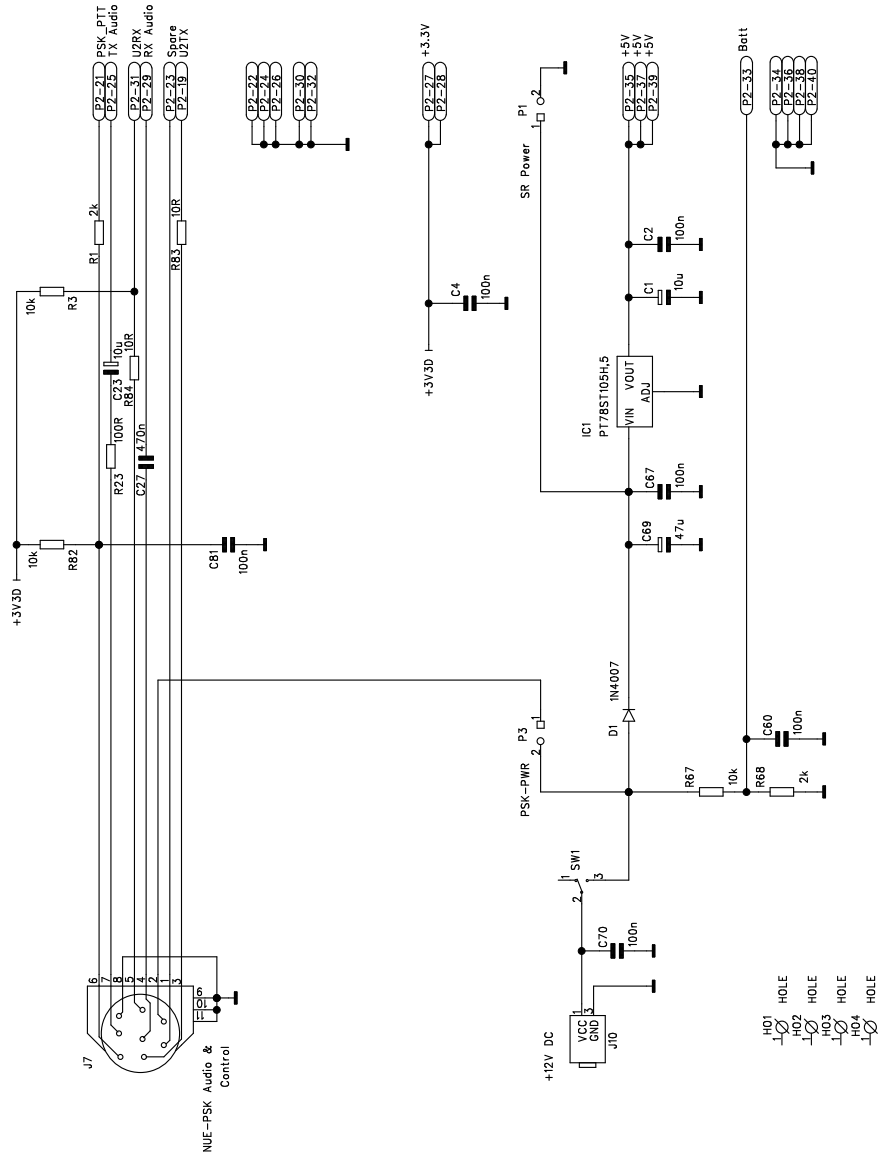
JNi

DRAWING No.

Rev. C1 / 2010.12.29

Appr.

Page 1/2



SDR Cube I/O Board
Power & PSK modem connector

OH2NLT, N2APB

2010.10.28

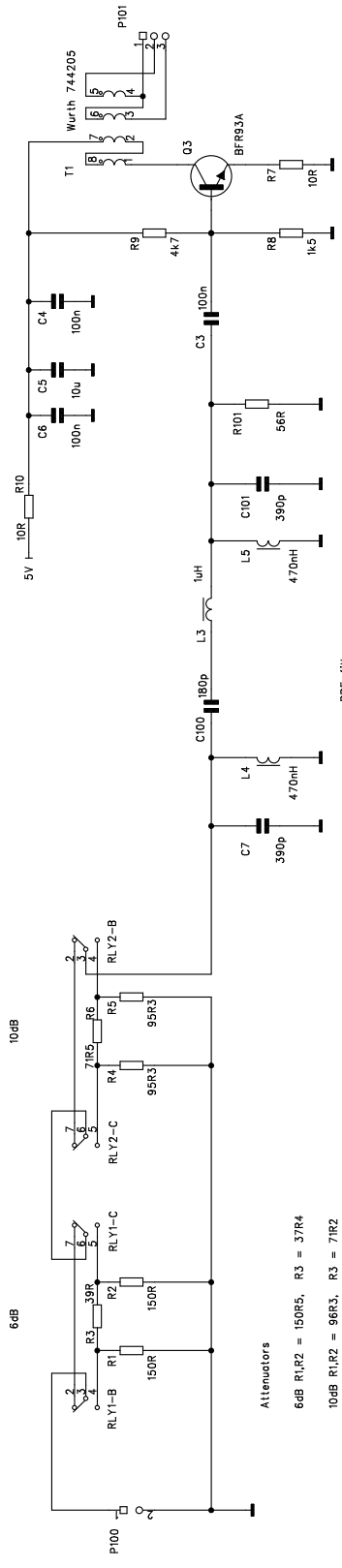
JNi

DRAWING No.

Rev. C1 / 2010.12.29

Appr.

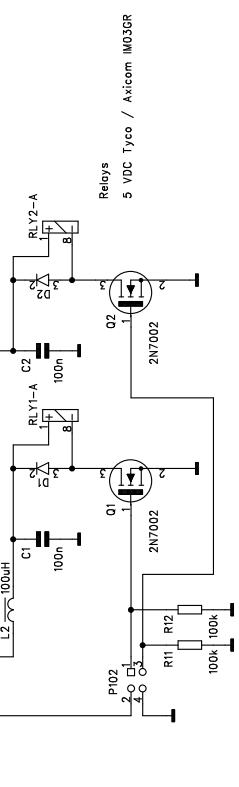
Page 2 / 2



Attenuators
 6dB R1,R2 = 150R5, R3 = 37R4
 10dB R1,R2 = 96R3, R3 = 71R2

BPF filter values for 14MHz filter
 ! Note !
 R101 is missing in Rev C pcb
 install on top of the C101

Set gain with R7
 10R = 24dB
 22R = 18dB
 47R = 12dB



BPF filter component values for different bands

	1-2 MHz filter	2-4 MHz filter	4-8 MHz filter	8-15 MHz filter	15-30 MHz filter
C7, C101	2700pF	1500pF	820pF	390pF	180pF
C100	1200pF	680pF	390pF	180pF	82pF
L4, L5	4.7uH	2.2uH	1uH	470nH	330nH
L3	10uH	4.7uH	2.2uH	1uH	680nH

Capacitors 0805, NP0 type
 Inductors 1210 III B type

SDR Cube

RX PBF & 2-stage RF Attenuator & RF Amp

OH2NLT & N2APB

31.10.2010

JNI

DRAWING No.

Rev. D

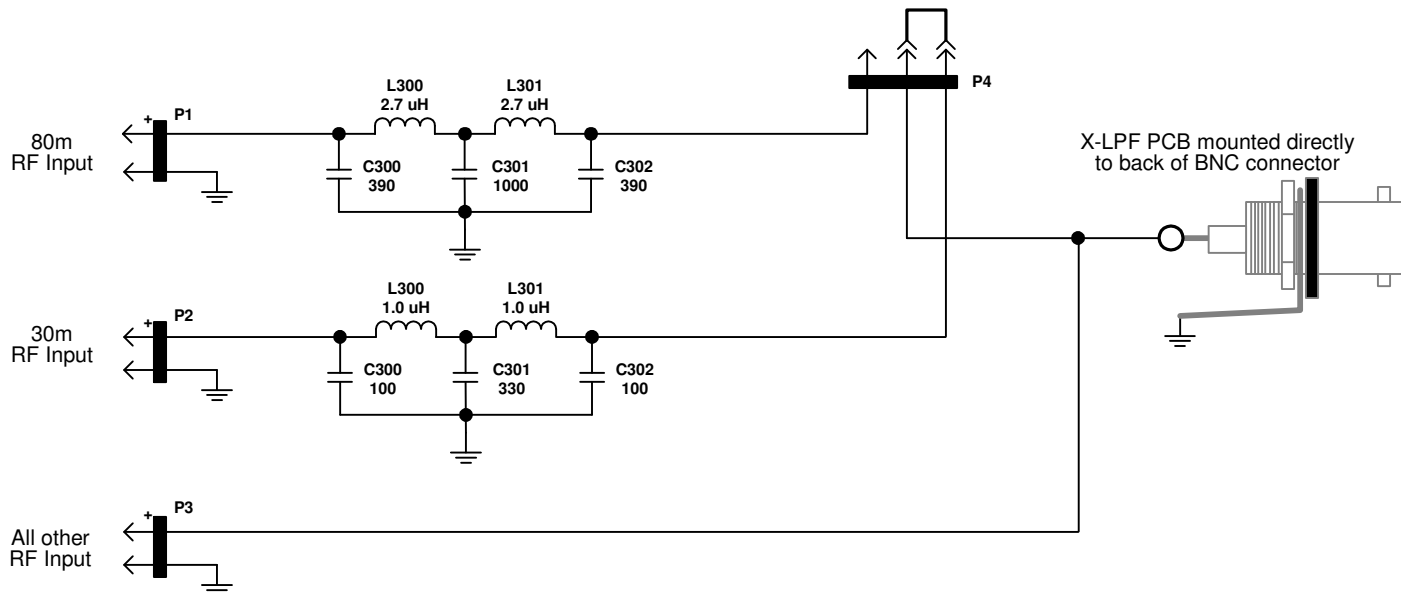
Page 1

X-LPF Extra Low Pass Filter

LPF components selected for:
80m: 4.0 MHz
30m: 10.5 MHz

Set jumper for RF input:
80m, 30m,
or Other (no connection)

80m 30m



Plug the RF cable
(from SR-Base board)
into appropriate
connector: P1, P2 or P3.
Then set jumper on P4 to
correspond